

TECHNICAL DATA

Electrical

Impedance	50 Ω
Frequency range	0~18 GHz
VSWR	≤1.30
Withstanding voltage	500 V
Insulation resistance	≥5000MΩ

Mechanical & Environmental

Durability (matings)	>500
Temperature range	-55 °C ~ +165 °C
RoHS Compliant	Yes

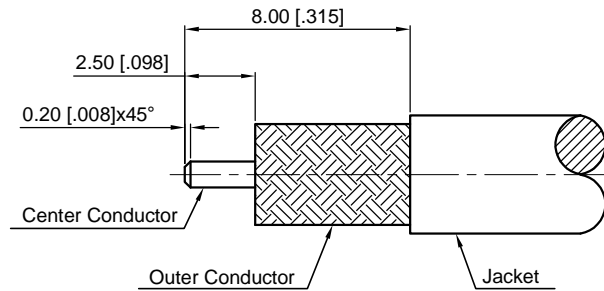
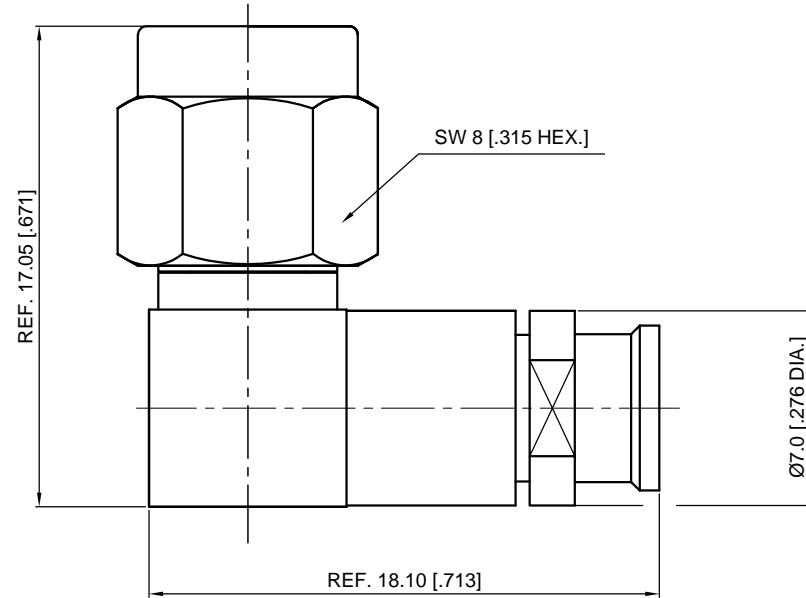
Material & Finish

Body	Brass, Gold plated
Pin Contact	Beryllium Copper Alloy, Gold plated
Coupling Nut	Stainless Steel, Passivated
Insulator	PTFE
Gasket	Silicone Rubber

Interface Standards

SMA	IEC-60169
-----	-----------

REVISIONS				
REV	DESCRIPTION OF REVISION	ECN No.	DATE	APPROVED
A	INITIAL RELEASE	—	03/26/2022	M. Dong



Recommended Cable Stripping Dimensions

NOTES:

- ALL SPECIFICATIONS ARE SUBJECT TO CHANGE WITHOUT NOTICE AT ANY TIME
- UNLESS OTHERWISE SPECIFIED ALL DIMENSIONS ARE NOMINAL.

UNLESS OTHERWISE SPECIFIED, DIMENSIONS ARE IN MILLIMETERS (INCHES). UNLESS OTHERWISE SPECIFIED DIMENSIONAL TOLERANCES ARE: .XX ±0.13 [.005"] X ±0.20 [.008"] X ±0.50 [.019"] ANGULAR TOLERANCES ARE: ALL=±1° DO NOT SCALE DRAWING PROJECTION:	DRAWN:	L. Ma	03/26/2022
	CHECKED:	J. Zhu	03/26/2022
	APPROVED:	M. Dong	03/26/2022
	TITLE:	SMA Right Angle Male Solder for CTFC-400/CTFD-141.141/RG402 Cable	

Cmptter Electronics Co., Ltd. www.cmptter.com			
PART No.:			
60-13-2M62-306B			
SIZE:	SCALE:	SHEET:	REV:
A4	4:1	1/1	A