

TECHNICAL DATA

Electrical

Impedance	50 Ω
Frequency range	0~18 GHz
Withstanding voltage	500 V
Insulation resistance	≥5000MΩ

Mechanical & Environmental

Durability (matings)	>500
Temperature range	-55 °C ~ +165 °C
RoHS Compliant	Yes

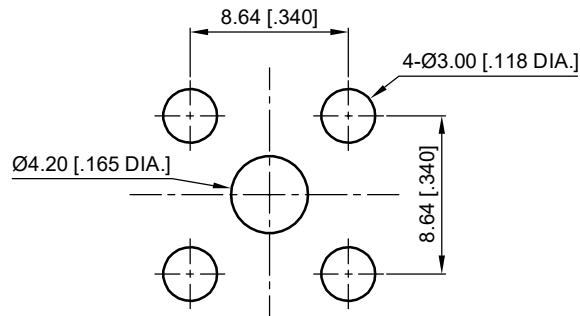
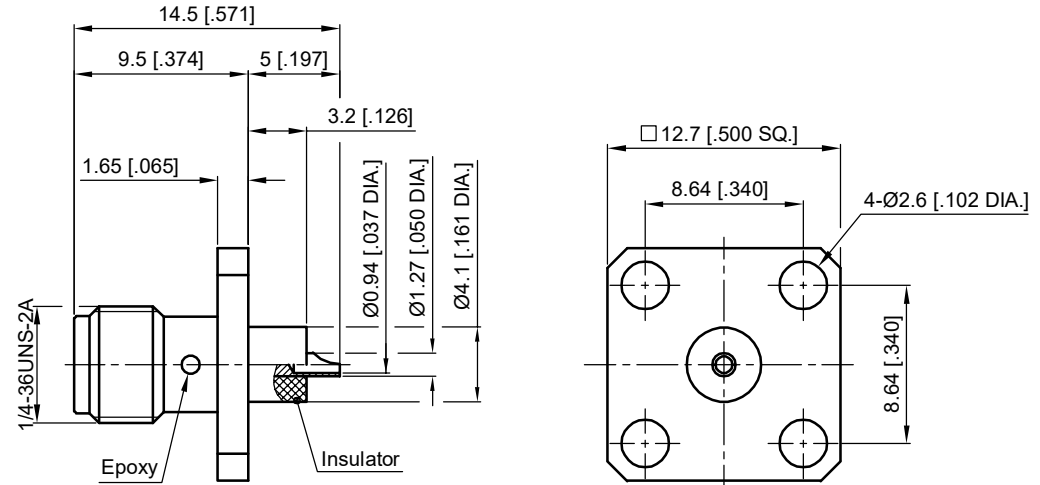
Material & Finish

Body	Brass, Gold plated
Pin Contact	Beryllium Copper Alloy, Gold plated
Insulator	PTFE

Interface Standards

SMA	IEC-60169
-----	-----------

REVISIONS				
REV	DESCRIPTION OF REVISION	ECN No.	DATE	APPROVED
A	INITIAL RELEASE	—	10/02/2024	M. Dong



Recommended Mounting Hole

NOTES:

- ALL SPECIFICATIONS ARE SUBJECT TO CHANGE WITHOUT NOTICE AT ANY TIME
- UNLESS OTHERWISE SPECIFIED ALL DIMENSIONS ARE NOMINAL.

UNLESS OTHERWISE SPECIFIED, DIMENSIONS ARE IN MILLIMETERS [INCHES]. UNLESS OTHERWISE SPECIFIED DIMENSIONAL TOLERANCES ARE: .XX ±0.13 [0.005] .X ±0.20 [0.008] X ±0.50 [0.019]	
ANGULAR TOLERANCES ARE: ALL±1°	
DO NOT SCALE DRAWING	
PROJECTION:	

DRAWN:	L. Ma	10/02/2024
CHECKED:	J. Zhu	10/02/2024
APPROVED:	M. Dong	10/02/2024

TITLE:
SMA Straight Female with Solder Cup, 4 Hole Flange Mount

 Cmppter Electronics Co., Ltd. www.cmppter.com			
PART No.: 60-02-8F1-532			
SIZE: A4	SCALE: 4:1	SHEET: 1/1	REV: A