

TECHNICAL DATA

Electrical

Impedance 50 Ω
 Frequency range 0~6 GHz
 Withstanding voltage 500 V
 Insulation resistance ≥5000MΩ

Mechanical & Environmental

Durability (matings) >500
 Temperature range -55 °C ~ +125 °C
 RoHS Compliant Yes

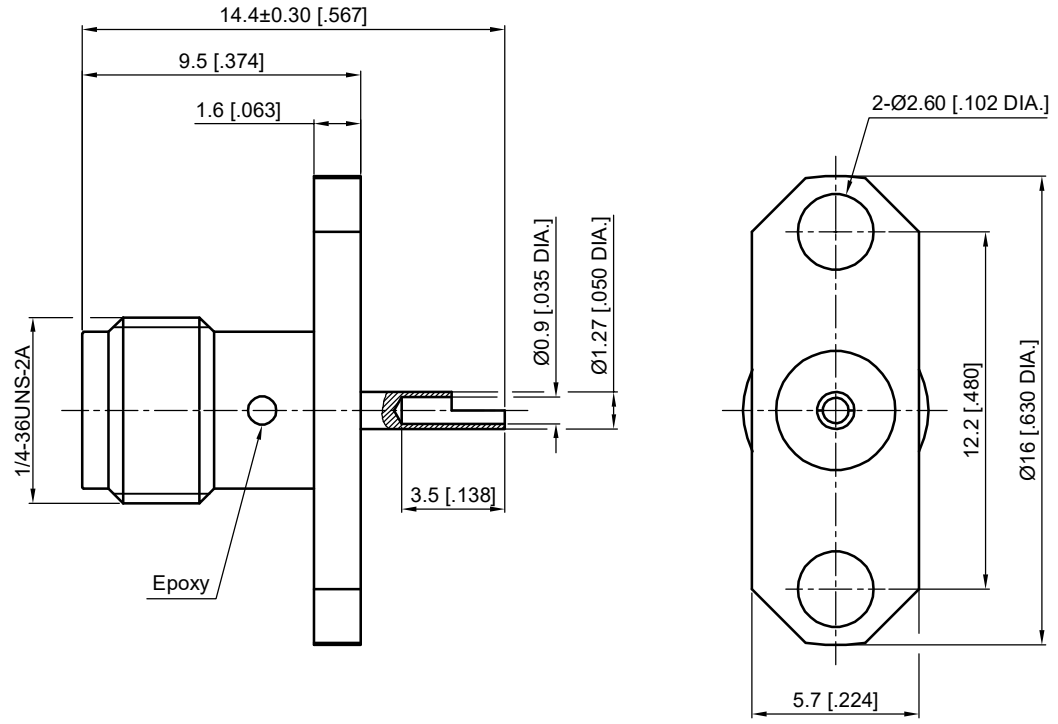
Material & Finish

Body Brass, Gold plated
 Pin Contact Beryllium Copper Alloy, Gold plated
 Insulator PTFE

Interface Standards

SMA IEC-60169

REVISIONS				
REV	DESCRIPTION OF REVISION	ECN No.	DATE	APPROVED
A	INITIAL RELEASE	—	10/21/2024	M. Dong



1
2
3
4
5
6
7

1
2
3
4
5
6
7

NOTES:
 1. ALL SPECIFICATIONS ARE SUBJECT TO CHANGE WITHOUT NOTICE AT ANY TIME
 2. UNLESS OTHERWISE SPECIFIED ALL DIMENSIONS ARE NOMINAL.

UNLESS OTHERWISE SPECIFIED, DIMENSIONS ARE IN MILLIMETERS [INCHES]. UNLESS OTHERWISE SPECIFIED DIMENSIONAL TOLERANCES ARE: .XX ±0.13 [0.005] .X ±0.20 [0.008] X ±0.50 [0.019] ANGULAR TOLERANCES ARE: ALL=±1° DO NOT SCALE DRAWING PROJECTION:

DRAWN:	L. Ma	10/21/2024
CHECKED:	J. Zhu	10/21/2024
APPROVED:	M. Dong	10/21/2024

TITLE:
SMA Straight Female with Solder Cup, 2 Hole Flange Mount

CMPPTER®
 Cmppter Electronics Co., Ltd. www.cmppter.com

PART No.: **60-02-8E1-535**

SIZE: A4	SCALE: 4:1	SHEET: 1/1	REV: A
----------	------------	------------	--------