

TECHNICAL DATA

Electrical

Impedance	50 Ω
Frequency range	0~3 GHz
Insulation resistance	≥5x10 ³ MΩ
Withstanding voltage	1000 V

Mechanical & Environmental

Durability (matings)	>500
Temperature range	-55 °C ~ +165 °C
RoHS Compliant	Yes

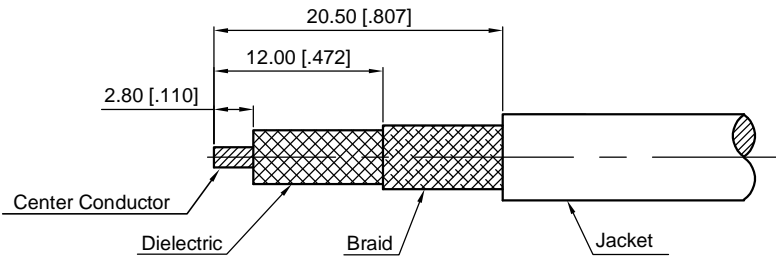
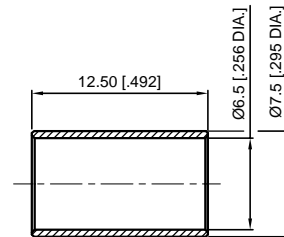
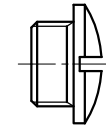
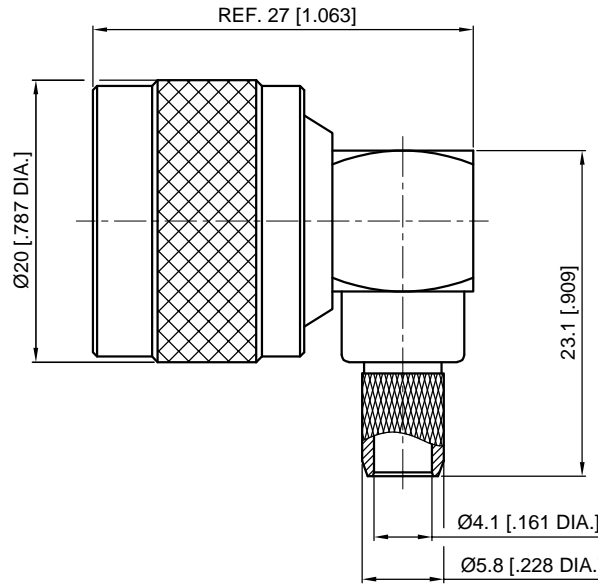
Material & Finish

Body	Brass, Nickel-plated
Pin Contact	Brass, Gold-plated
Coupling Nut	Brass, Nickel-plated
Insulator	PTFE
Gasket	Silicone Rubber

Interface Standards

N	IEC-60169
---	-----------

REVISIONS				
REV	DESCRIPTION OF REVISION	ECN No.	DATE	APPROVED
A	INITIAL RELEASE	—	03/08/2021	M. Dong



Recommended Cable Stripping Dimensions

1. CRIMP FERRULE
HEX. CRIMP TOOL SIZE : 6.48 [.255]

- NOTES:
- ALL SPECIFICATIONS ARE SUBJECT TO CHANGE WITHOUT NOTICE AT ANY TIME
 - UNLESS OTHERWISE SPECIFIED ALL DIMENSIONS ARE NOMINAL.

UNLESS OTHERWISE SPECIFIED, DIMENSIONS ARE IN MILLIMETERS [INCHES]. UNLESS OTHERWISE SPECIFIED DIMENSIONAL TOLERANCES ARE: .XX ±0.13 [.005"] X ±0.20 [.008"] X ±0.50 [.019"] ANGULAR TOLERANCES ARE: ALL=±1° DO NOT SCALE DRAWING PROJECTION:	DRAWN: L. Ma 03/08/2021 CHECKED: J. Zhu 03/08/2021 APPROVED: M. Dong 03/08/2021 TITLE: N Right Angle Male Crimp for LMR240 Cable
--	---

Cmptter Electronics Co., Ltd. www.cmptter.com			
PART No.: 50-13-1M10-292			
SIZE: A4	SCALE: 2.5:1	SHEET: 1/1	REV: A

Cmptter Electronics Co., Ltd. www.cmptter.com			
PART No.: 50-13-1M10-292			
SIZE: A4	SCALE: 2.5:1	SHEET: 1/1	REV: A