

# TECHNICAL DATA

## Electrical

Impedance	50 Ω
Frequency range	0~1.5 GHz
Insulation resistance	≥5x10 <sup>3</sup> MΩ
Power	300W Min.
Withstanding voltage	1000 V

## Mechanical & Environmental

Durability (matings)	>500
Temperature range	-55 °C ~ +155 °C
RoHS Compliant	Yes

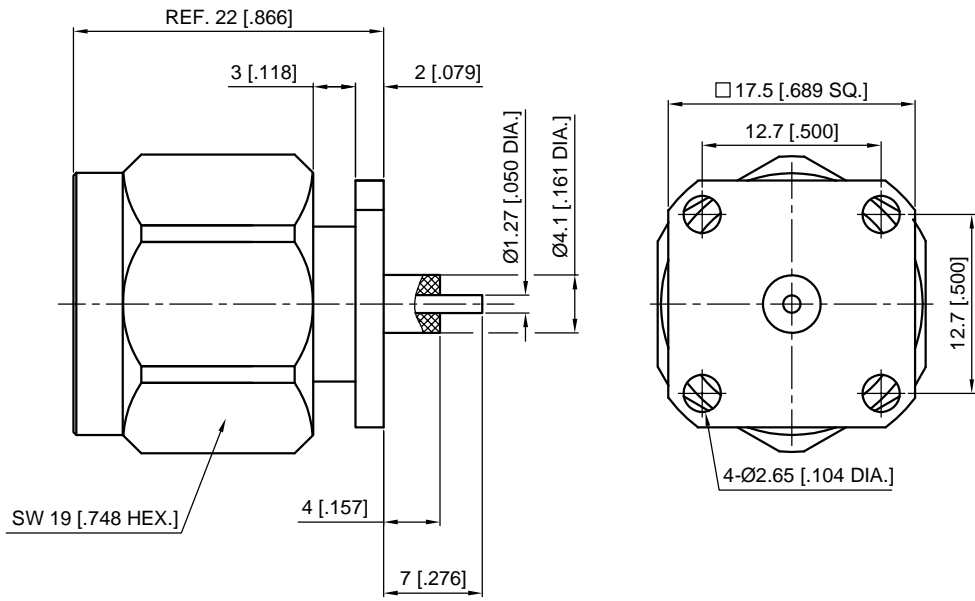
## Material & Finish

Body	Brass, Nickel plated
Pin Contact	Brass, Gold plated
Coupling Nut	Brass, Nickel plated
Insulator	PTFE
Gasket	Silicone Rubber

## Interface Standards

N	IEC-60169
---	-----------

REVISIONS				
REV	DESCRIPTION OF REVISION	ECN No.	DATE	APPROVED
A	INITIAL RELEASE	---	03/08/2021	
B	DIMENSIONS CHANGED	---	03/18/2021	



1

2

3

4

5

6

7

- NOTES:
- ALL SPECIFICATIONS ARE SUBJECT TO CHANGE WITHOUT NOTICE AT ANY TIME
  - UNLESS OTHERWISE SPECIFIED ALL DIMENSIONS ARE NOMINAL.

UNLESS OTHERWISE SPECIFIED, DIMENSIONS ARE IN MILLIMETERS (INCHES). UNLESS OTHERWISE SPECIFIED DIMENSIONAL TOLERANCES ARE: .XX ±0.13 [.005"] X ±0.20 [.008"] X ±0.50 [.019"] ANGULAR TOLERANCES ARE: ALL±1° DO NOT SCALE DRAWING PROJECTION:	DRAWN:	L. Ma	03/18/2021
	CHECKED:	J. Zhu	03/18/2021
	APPROVED:	M. Dong	03/18/2021
TITLE:		N Straight Male, 4 Hole Flange with Coaxial End	

**CMPPTER**®  
 Cmppter Electronics Co., Ltd. [www.cmppter.com](http://www.cmppter.com)

PART No.: **50-03-8F7-294**

SIZE: A4	SCALE: 2:1	SHEET: 1/1	REV: B
----------	------------	------------	--------