

TECHNICAL DATA

Electrical

Impedance 50 Ω
 Frequency range 0~6 GHz
 Insulation resistance ≥5x10³ MΩ
 Withstanding voltage 1000 V

Mechanical & Environmental

Durability (matings) >500
 Temperature range -55 °C ~ +155 °C
 RoHS Compliant Yes

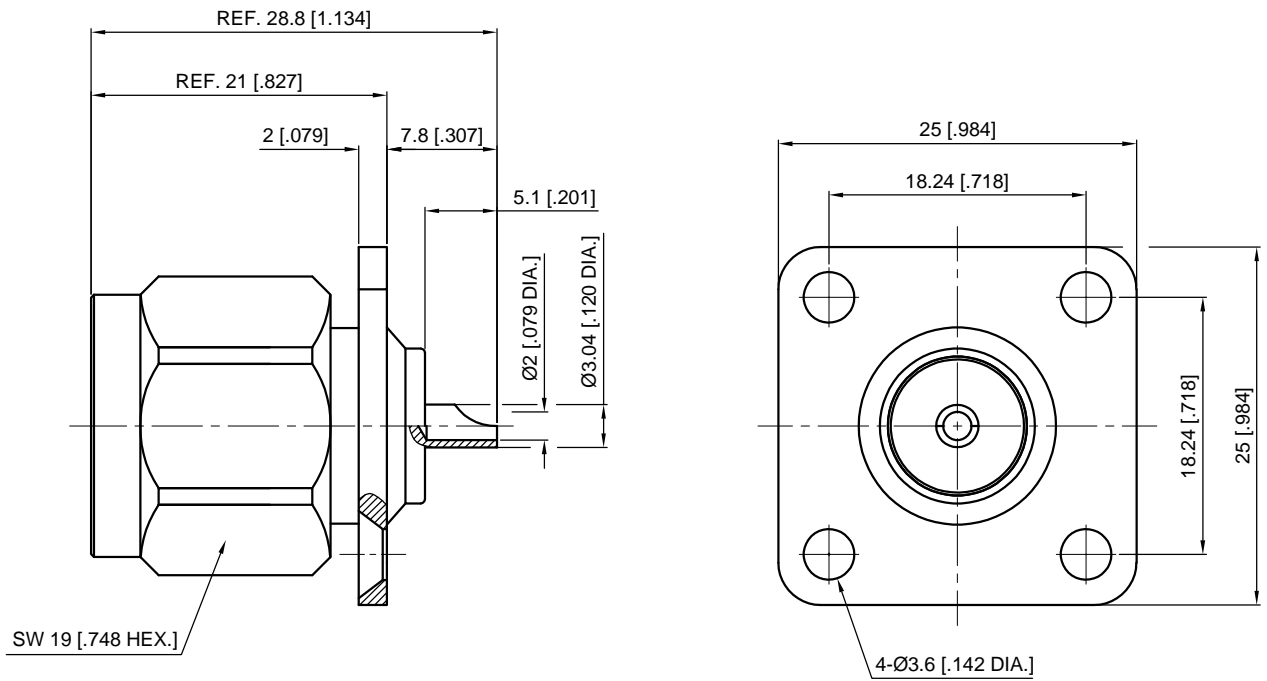
Material & Finish

Body Brass, Nickel plated
 Pin Contact Phosphor Bronze, Gold Plated
 Coupling Nut Brass, Nickel plated
 Insulator PTFE
 Gasket Silicone Rubber

Interface Standards

N IEC-60169

REVISIONS				
REV	DESCRIPTION OF REVISION	ECN No.	DATE	APPROVED
A	INITIAL RELEASE	—	06/06/2020	M. Dong



1
2
3
4
5
6
7

1
2
3
4
5
6
7

NOTES:
 1. ALL SPECIFICATIONS ARE SUBJECT TO CHANGE WITHOUT NOTICE AT ANY TIME
 2. UNLESS OTHERWISE SPECIFIED ALL DIMENSIONS ARE NOMINAL.

UNLESS OTHERWISE SPECIFIED, DIMENSIONS ARE IN MILLIMETERS (INCHES). UNLESS OTHERWISE SPECIFIED DIMENSIONAL TOLERANCES ARE: .XX ±0.13 [.005"] X ±0.20 [.008"] X ±0.50 [.019"] ANGULAR TOLERANCES ARE: ALL=±1° DO NOT SCALE DRAWING PROJECTION:	DRAWN:	L. Ma	06/06/2020
	CHECKED:	J. Zhu	06/06/2020
	APPROVED:	M. Dong	06/06/2020
TITLE: N Straight Male 4 Hole Flange with Solder Cup			

CMPPTER®
 Cmppter Electronics Co., Ltd. www.cmppter.com

PART No.: **50-03-8F1-313**

SIZE: A4	SCALE: 2:1	SHEET: 1/1	REV: A
----------	------------	------------	--------