

TECHNICAL DATA

Electrical

Impedance 50 Ω
 Frequency range 0~3 GHz
 Withstanding voltage 2500 V
 Insulation resistance ≥5000MΩ

Mechanical & Environmental

Durability (matings) >500
 Temperature range -65 °C ~ +165 °C
 RoHS Compliant Yes

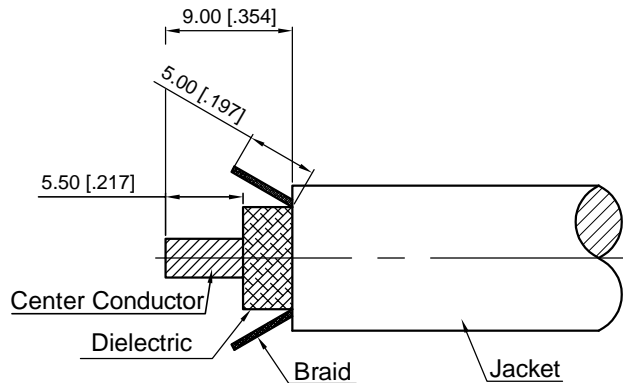
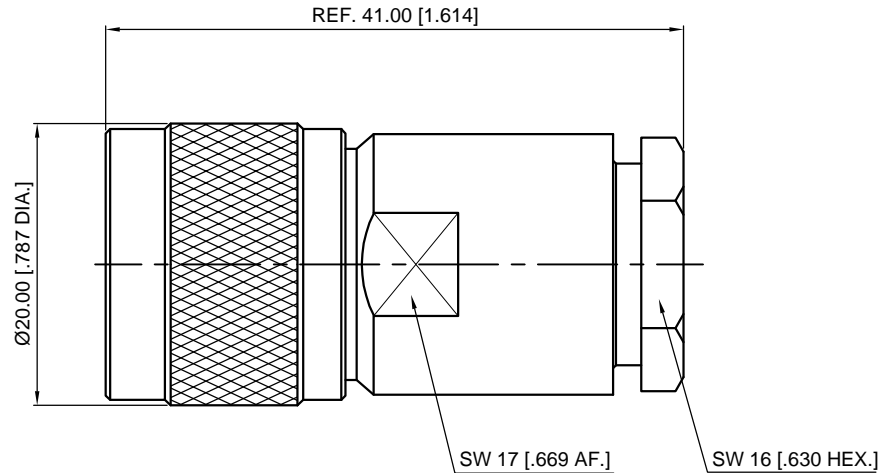
Material & Finish

Bodies Brass, Nickel-plated
 Pin Contact Brass, Gold-plated
 Fastening Nut Brass, Nickel-plated
 Gasket Silicone Rubber
 Insulator PTFE

Interface Standards

N IEC-60169

REVISIONS				
REV	DESCRIPTION OF REVISION	ECN No.	DATE	APPROVED
A	INITIAL RELEASE	—	05/15/2018	M. Dong



Cable Stripping Dimensions

- NOTES:
- ALL SPECIFICATIONS ARE SUBJECT TO CHANGE WITHOUT NOTICE AT ANY TIME
 - UNLESS OTHERWISE SPECIFIED ALL DIMENSIONS ARE NOMINAL.

UNLESS OTHERWISE SPECIFIED, DIMENSIONS ARE IN MILLIMETERS [INCHES].
 UNLESS OTHERWISE SPECIFIED DIMENSIONAL TOLERANCES ARE:

.XX	±0.13 [005"]
X	±0.20 [008"]
X	±0.50 [019"]

ANGULAR TOLERANCES ARE: ALL=±1°

DO NOT SCALE DRAWING

PROJECTION:

DRAWN:	L. Ma	05/15/2018
CHECKED:	J. Zhu	05/15/2018
APPROVED:	M. Dong	05/15/2018

TITLE:
**N Straight Male Clamp
 for RG213 Cable**

CMPPTER®
 Cmppter Electronics Co., Ltd. www.cmppter.com

PART No.:
50-03-4M42-211

SIZE: A4	SCALE: 2:1	SHEET: 1/1	REV: A
-------------	---------------	---------------	-----------