

TECHNICAL DATA

Electrical

Impedance	50 Ω
Frequency range	0~3 GHz
Insulation resistance	≥5x10 ³ MΩ
Withstanding voltage	2500 V

Mechanical & Environmental

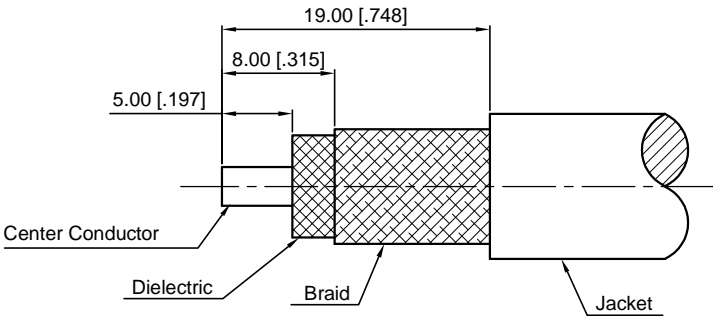
Durability (matings)	>500
Temperature range	-55 °C ~ +165 °C
RoHS Compliant	Yes

Material & Finish

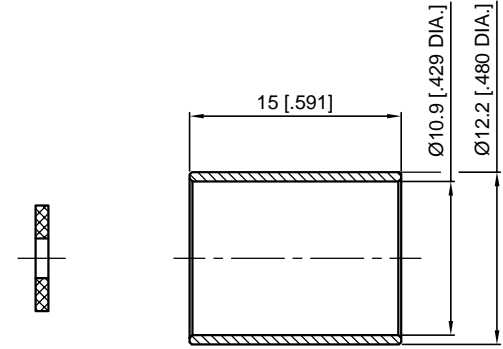
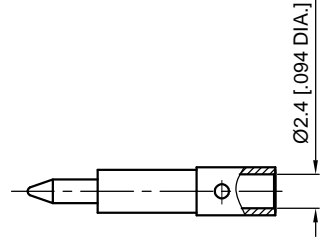
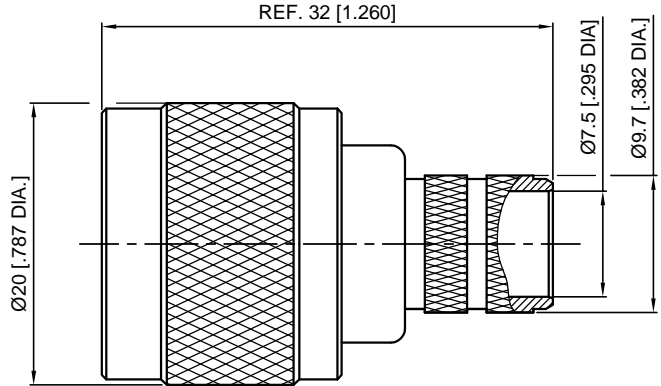
Body	Brass, Nickel plated
Pin Contact	Brass, Gold plated
Coupling Nut	Brass, Nickel plated
Crimp Ferrule	Copper, Nickel plated
Insulator	PTFE
Gasket	Silicone Rubber

Interface Standards

N	IEC-60169
---	-----------



Recommended Cable Stripping Dimensions



1.CRIMP FERRULE
HEX. CRIMP TOOL SIZE : 10.9 [.429]

REVISIONS				
REV	DESCRIPTION OF REVISION	ECN No.	DATE	APPROVED
A	INITIAL RELEASE	---	02/28/2017	M. Dong
B	STRUCTURE CHANGED	---	04/17/2021	M. Dong

- NOTES:
- ALL SPECIFICATIONS ARE SUBJECT TO CHANGE WITHOUT NOTICE AT ANY TIME
 - UNLESS OTHERWISE SPECIFIED ALL DIMENSIONS ARE NOMINAL.

UNLESS OTHERWISE SPECIFIED, DIMENSIONS ARE IN MILLIMETERS [INCHES]. UNLESS OTHERWISE SPECIFIED DIMENSIONAL TOLERANCES ARE: .XX ±0.13 [.005"] X ±0.20 [.008"] X ±0.50 [.019"] ANGULAR TOLERANCES ARE: ALL±1° DO NOT SCALE DRAWING PROJECTION:

DRAWN:	L. Ma	04/17/2021
CHECKED:	J. Zhu	04/17/2021
APPROVED:	M. Dong	04/17/2021

TITLE:
**N Straight Male Crimp for
RG213 Cable**

CMPPTER[®]
Cmppter Electronics Co., Ltd. www.cmppter.com

PART No.:
50-03-1M42-178

SIZE: A4	SCALE: 2.5:1	SHEET: 1/1	REV: B
-------------	-----------------	---------------	-----------