

REVISIONS

REV	DESCRIPTION OF REVISION	ECN No.	DATE	APPROVED
A	INITIAL RELEASE	---	01/07/2019	M. Dong
B	DIMENSIONS CHANGED	---	01/21/2019	M. Dong

**TECHNICAL DATA**

**Electrical**

Impedance 50 Ω  
 Frequency range 0~6 GHz  
 Voltage Rating 250 V rms  
 Insulation resistance ≥1000MΩ

**Mechanical & Environmental**

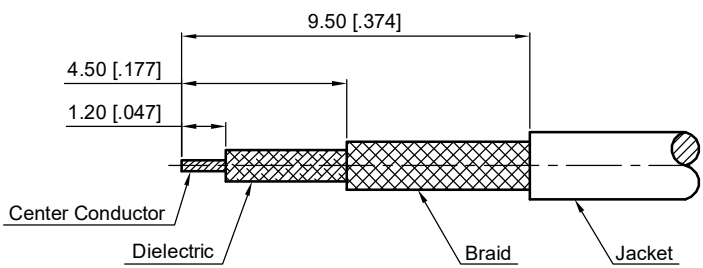
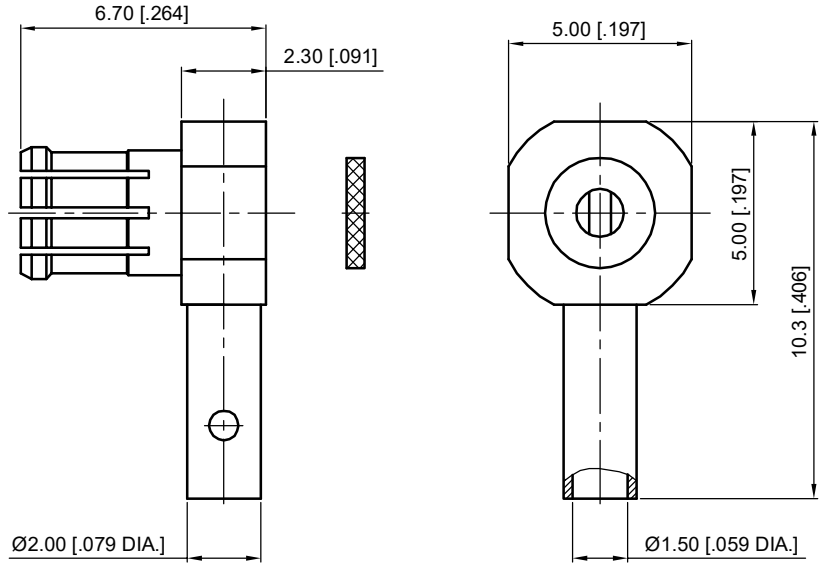
Durability (matings) >500  
 Temperature range -55 °C ~ +165 °C  
 RoHS Compliant Yes

**Material & Finish**

Body Brass, Gold-plated  
 Pin Contact Brass, Gold-plated  
 Outer Contact Phosphor Bronze, Gold-plated  
 Insulator PTFE

**Interface Standards**

MCX IEC-61169



Cable Stripping Dimensions

- NOTES:
- ALL SPECIFICATIONS ARE SUBJECT TO CHANGE WITHOUT NOTICE AT ANY TIME
  - UNLESS OTHERWISE SPECIFIED ALL DIMENSIONS ARE NOMINAL.

UNLESS OTHERWISE SPECIFIED, DIMENSIONS ARE IN MILLIMETERS (INCHES).  
 UNLESS OTHERWISE SPECIFIED DIMENSIONAL TOLERANCES ARE:

.XX ±0.13 [0.005]  
 X ±0.20 [0.008]  
 X ±0.50 [0.019]

ANGULAR TOLERANCES ARE: ALL= ±1°

DO NOT SCALE DRAWING

PROJECTION:

DRAWN:	L. Ma	01/21/2019
CHECKED:	J. Zhu	01/21/2019
APPROVED:	M. Dong	01/21/2019

TITLE:  
**MCX Right Angle Male  
 Solder Crimp for RG178 Cable**

**CMPPTER**<sup>®</sup>  
 Cmppter Electronics Co., Ltd. [www.cmppter.com](http://www.cmppter.com)

PART No.:  
**30-13-2M12-039**

SIZE: A4	SCALE: 5:1	SHEET: 1/1	REV: B
----------	------------	------------	--------