

REVISIONS				
REV	DESCRIPTION OF REVISION	ECN No.	DATE	APPROVED
A	INITIAL RELEASE	—	07/30/2010	M. Dong

TECHNICAL DATA

Electrical

Impedance	50 Ω
Frequency range	0~65 GHz
VSWR	1.25:1
Contact resistance	
-centre contact	≤3mΩ
-outer contact	≤2.5mΩ
Dielectric withstanding volatage	>500V
Insulation resistance	≥3000MΩ

Mechanical & Environmental

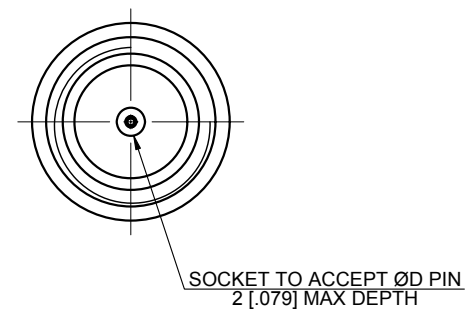
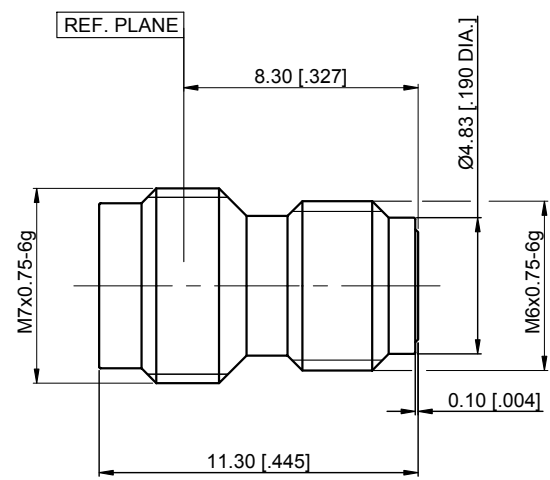
Durability (matings)	>500
Temperature range	-55 °C ~ +165 °C
RoHS Compliant	Yes

Material & Finish

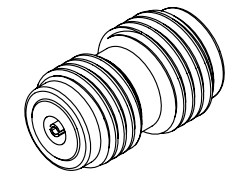
Body	Stainless Steel (SU303), Passivated
Pin Contact	Beryllium Copper Alloy, Gold-plated
Insulator	PEI

Interface Standards

1.85mm	IEC-61169
--------	-----------



Part Number	ØD PIN
98-02-9A5-005A	0.23 [.009]
98-02-9A5-005B	0.30 [.012]



<small>UNLESS OTHERWISE SPECIFIED, DIMENSIONS ARE IN MILLIMETERS (INCHES). UNLESS OTHERWISE SPECIFIED DIMENSIONAL TOLERANCES ARE: .XX ±0.13 [.005"] .X ±0.20 [.008"] X ±0.50 [.019"] ANGULAR TOLERANCES ARE: ALL±1°</small>	DRAWN:	H. Xiao	07/30/2010
	CHECKED:	YF. Zhu	07/30/2010
	APPROVED:	M. Dong	07/30/2010
	TITLE: 1.85mm Straight Female, Threaded, Accepts Pin		
DO NOT SCALE DRAWING	PROJECTION:		

Cmppter Electronics Co., Ltd. www.cmppter.com			
PART No.: 98-02-9A5-005			
SIZE: A4	SCALE: 4:1	SHEET: 1/1	REV: A

- NOTES:
- ALL SPECIFICATIONS ARE SUBJECT TO CHANGE WITHOUT NOTICE AT ANY TIME
 - UNLESS OTHERWISE SPECIFIED ALL DIMENSIONS ARE NOMINAL.