

### TECHNICAL DATA

#### Electrical

Impedance	50 Ω
Frequency range	0~22 GHz
VSWR	≤1.30
Withstanding voltage	1000 V
Insulation resistance	≥5000MΩ

#### Mechanical & Environmental

Durability (matings)	>500
Temperature range	-55 °C ~ +165 °C
RoHS Compliant	Yes

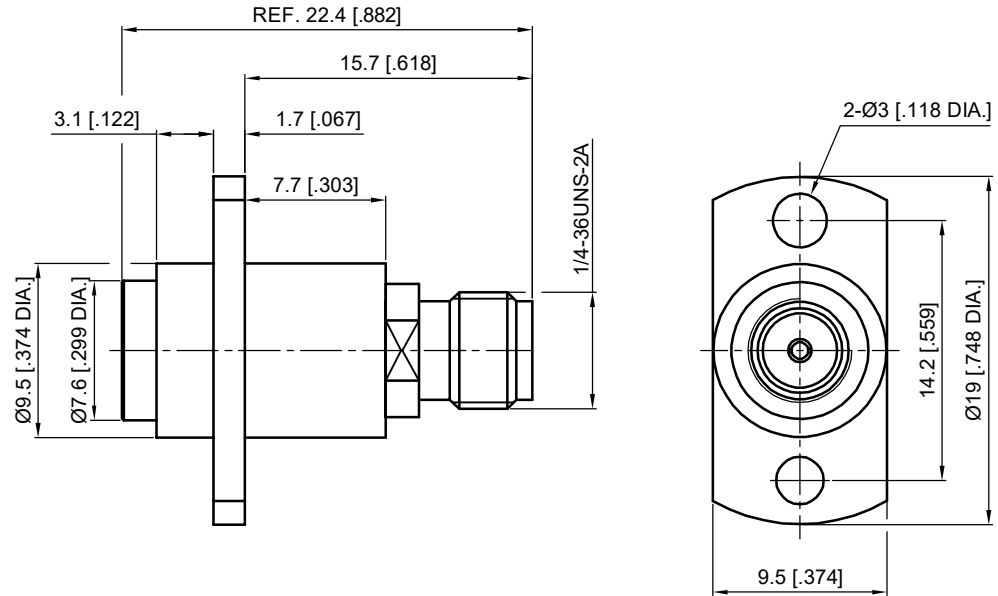
#### Material & Finish

Body	Brass, Nickel plated
Pin Contact	Beryllium Copper Alloy, Gold plated
Flange	Stainless Steel (SU303), Passivated
Insulator	PTFE

#### Interface Standards

SMA	IEC-60169
BMA	MIL-STD-348A

REVISIONS				
REV	DESCRIPTION OF REVISION	ECN No.	DATE	APPROVED
A	INITIAL RELEASE	—	09/23/2024	M. Dong



- NOTES:
- ALL SPECIFICATIONS ARE SUBJECT TO CHANGE WITHOUT NOTICE AT ANY TIME
  - UNLESS OTHERWISE SPECIFIED ALL DIMENSIONS ARE NOMINAL.

UNLESS OTHERWISE SPECIFIED, DIMENSIONS ARE IN MILLIMETERS [INCHES]. UNLESS OTHERWISE SPECIFIED DIMENSIONAL TOLERANCES ARE: .XX ±0.13 [.005"] .X ±0.20 [.008"] X ±0.50 [.019"]	
ANGULAR TOLERANCES ARE: ALL=±1°	
DO NOT SCALE DRAWING	
PROJECTION:	

DRAWN:	L. Ma	09/23/2024
CHECKED:	J. Zhu	09/23/2024
APPROVED:	M. Dong	09/23/2024

TITLE:  
**Adapter, SMA Female to BMA Female, Floating 2 Hole Flange**

 Cmptter Electronics Co., Ltd. <a href="http://www.cmptter.com">www.cmptter.com</a>			
PART No.: <b>A-SMAF-BMAF-576</b>			
SIZE: A4	SCALE: 2.5:1	SHEET: 1/1	REV: A