

TECHNICAL DATA

Electrical

Impedance	50 Ω
Frequency range	0~11 GHz
VSWR	≤1.25 @6GHz
Withstanding voltage	2500 V
Insulation resistance	≥5000MΩ

Mechanical & Environmental

Durability (matings)	>500
Temperature range	-65 °C ~ +155 °C
RoHS Compliant	Yes

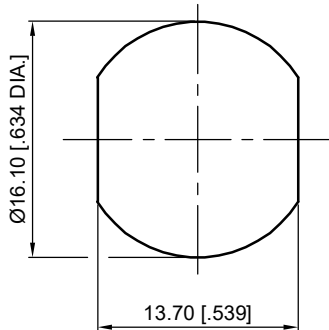
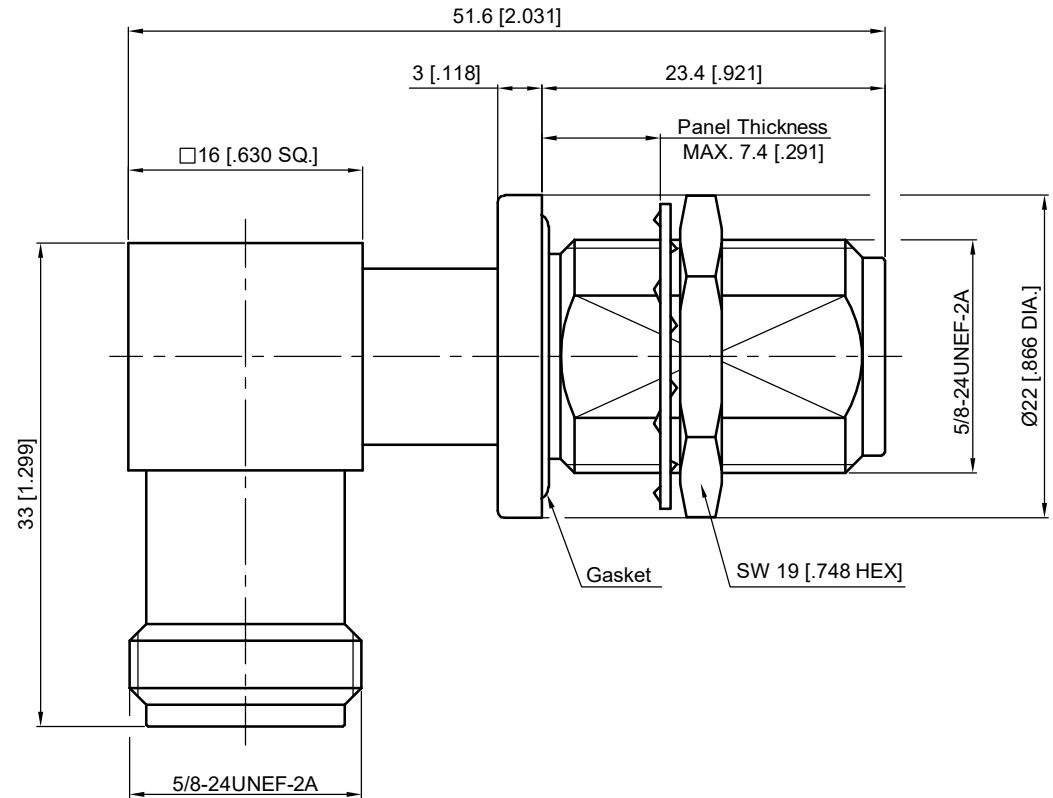
Material & Finish

Body	Brass, Nickel plated
Pin Contact	Beryllium Copper Alloy, Gold plated
Coupling Nut	Brass, Nickel plated
Insulator	PTFE
Gasket	Silicone Rubber

Interface Standards

N	IEC-60169
---	-----------

REVISIONS				
REV	DESCRIPTION OF REVISION	ECN No.	DATE	APPROVED
A	INITIAL RELEASE	---	10/18/2024	M. Dong
B	TITLE CORRECTED	---	11/02/2024	M. Dong



Recommend Mounting Hole

NOTES:

- ALL SPECIFICATIONS ARE SUBJECT TO CHANGE WITHOUT NOTICE AT ANY TIME
- UNLESS OTHERWISE SPECIFIED ALL DIMENSIONS ARE NOMINAL.

UNLESS OTHERWISE SPECIFIED, DIMENSIONS ARE IN MILLIMETERS [INCHES]. UNLESS OTHERWISE SPECIFIED DIMENSIONAL TOLERANCES ARE: .XX ±0.13 [.005] .X ±0.20 [.008] X ±0.50 [.019] ANGULAR TOLERANCES ARE: ALL=±1°	DRAWN: L. Ma 11/02/2024
DO NOT SCALE DRAWING	CHECKED: J. Zhu 11/02/2024
PROJECTION:	APPROVED: M. Dong 11/02/2024

TITLE: Adapter, Right Angle, N Female to N Waterproof Bulkhead Female

CMPPTER[®]
Cmptter Electronics Co., Ltd. www.cmptter.com

PART No.: **AR-NF-NF-577**

SIZE: A4	SCALE: 2:1	SHEET: 1/1	REV: B
----------	------------	------------	--------