

REV	DESCRIPTION OF REVISION	ECN No.	BY	DATE	APPROVED
A	INITIAL RELEASE	—	L. Ma	05/21/10	M. Dong

TECHNICAL DATA

Electrical data

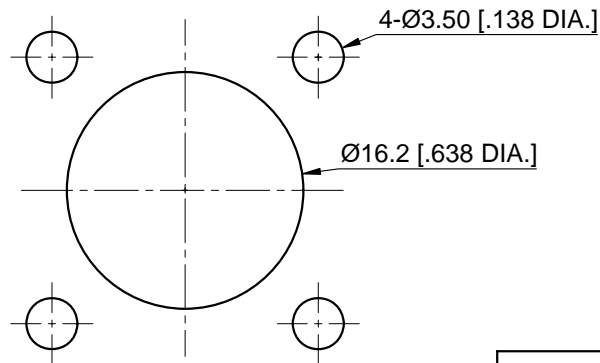
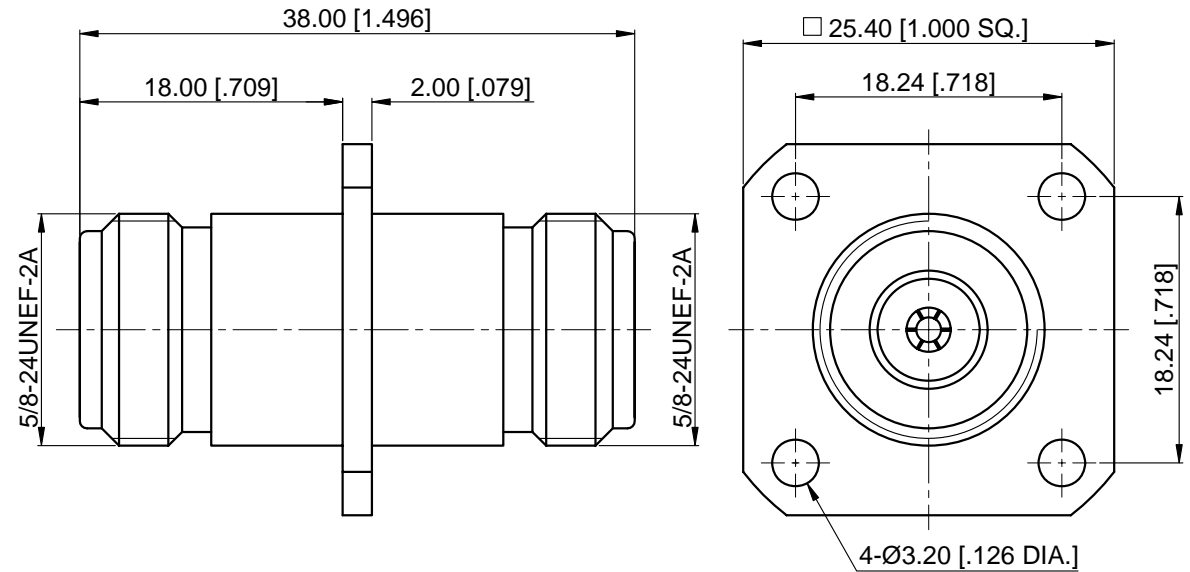
Impedance	50 Ω
Frequency range	0~11 GHz
Insulation resistance	$\geq 5 \times 10^3$ M Ω
Withstanding voltage	2500 V

Mechanical data

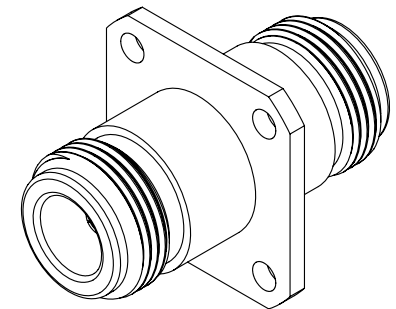
Temperature range	-65 °C ~ +165 °C
Durability (matings)	>500

Material data

Bodies	Brass, Nickel-plated
Pin Contact	Phosphor Bronze, Silver-plated
Insulator	PTFE


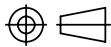


Recommended Mounting Hole



NOTES:

- ALL SPECIFICATIONS ARE SUBJECT TO CHANGE WITHOUT NOTICE AT ANY TIME
- CUSTOMER OUTLINE DRAWING FOR REFERENCE ONLY

DRAWN: L. Ma 05/24/10	TITLE:	 www.cmppter.com			
ENGINEER: J. Zhu 05/24/10	Adapter, N Female to N Female, 4 Hole Flange				
APPROVED: M. Dong 05/24/10		 DIMENSIONS IN MILLIMETERS (mm)			
TOLERANCE UNLESS OTHERWISE SPECIFIED	PART No.: A-NF-NF-072			SIZE: A4	SCALE: 2:1
X ±0.50 [.019"]					
.X ±0.20 [.008"]					
.XX ±0.10 [.004"]					
ANGLES ±1°					