

TECHNICAL DATA

Electrical

Impedance 50 Ω
 Frequency range 0~50 GHz
 VSWR 1.25:1

Mechanical & Environmental

Durability (matings) >500
 Temperature range -55 °C ~ +165 °C
 RoHS Compliant Yes

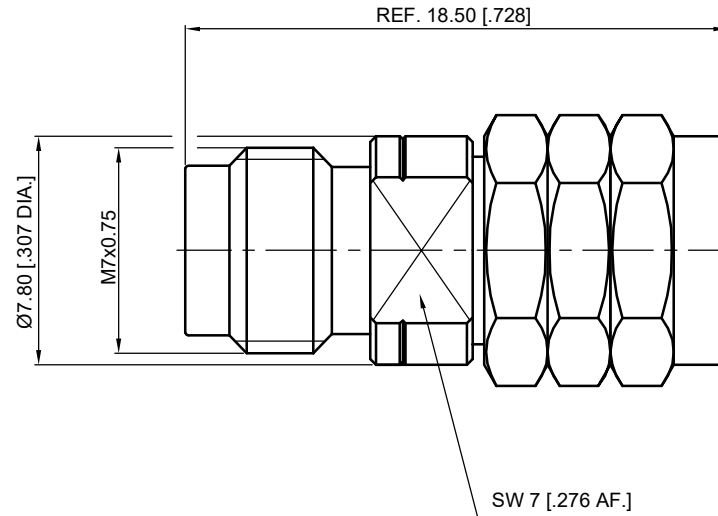
Material & Finish

Body Stainless Steel (SU303), Passivated
 Pin Contact Beryllium Copper Alloy, Gold-plated
 Insulator PEI

Interface Standards

2.4mm IEC-61169
 1.85mm IEC-61169

REVISIONS				
REV	DESCRIPTION OF REVISION	ECN No.	DATE	APPROVED
A	INITIAL RELEASE	—	06/12/2010	M. Dong
B	DIMENSIONS CHANGED	—	06/18/2014	M. Dong



NOTES:

- ALL SPECIFICATIONS ARE SUBJECT TO CHANGE WITHOUT NOTICE AT ANY TIME
- UNLESS OTHERWISE SPECIFIED ALL DIMENSIONS ARE NOMINAL.

UNLESS OTHERWISE SPECIFIED, DIMENSIONS ARE IN MILLIMETERS [INCHES].
 UNLESS OTHERWISE SPECIFIED DIMENSIONAL TOLERANCES ARE:

.XX ±0.13 [0.005]
 .X ±0.20 [0.008]
 X ±0.50 [0.019]

ANGULAR TOLERANCES ARE: ALL= ±1°

DO NOT SCALE DRAWING

PROJECTION:

DRAWN: L. Ma 06/18/2014
 CHECKED: J. Zhu 06/18/2014
 APPROVED: M. Dong 06/18/2014

TITLE:
**Precision Adapter, 2.4mm
 Female to 1.85mm Male**

CMPPTER®

Cmppter Electronics Co., Ltd. www.cmppter.com

PART No.:
P-2.4F-1.85M-162

SIZE: A4 SCALE: 2.5:1 SHEET: 1/1 REV: B