

TECHNICAL DATA

Electrical

Impedance 50 Ω
 Frequency range 0~67 GHz
 VSWR 1.45:1
 Average Power 0.5W

Mechanical & Environmental

Durability (matings) >500
 Temperature range -55 °C ~ +125 °C
 RoHS Compliant Yes

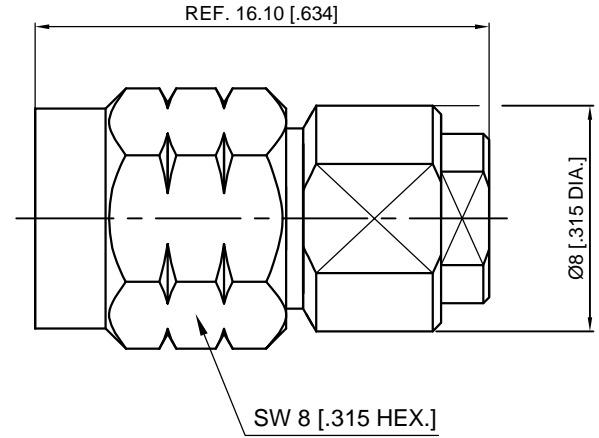
Material & Finish

Body Stainless Steel (SU303), Passivated
 Pin Contact Beryllium Copper Alloy, Gold-plated
 Coupling nut Stainless Steel (SU303), Passivated

Interface Standards

1.85mm IEC-61169

REVISIONS				
REV	DESCRIPTION OF REVISION	ECN No.	DATE	APPROVED
A	INITIAL RELEASE	—	03/10/2020	M. Dong



UNLESS OTHERWISE SPECIFIED, DIMENSIONS ARE IN MILLIMETERS [INCHES]. UNLESS OTHERWISE SPECIFIED DIMENSIONAL TOLERANCES ARE: .XX ±0.13 [.005"] X ±0.20 [.008"] X ±0.50 [.019"] ANGULAR TOLERANCES ARE: ALL= ±1°
DO NOT SCALE DRAWING
PROJECTION:

DRAWN:	L. Ma	03/10/2020
CHECKED:	J. Zhu	03/10/2020
APPROVED:	M. Dong	03/10/2020

TITLE:
Precision 1.85mm Male Termination, 0.5W, 67GHz

CMP TER[®]
 Cmp ter Electronics Co., Ltd. www.cmp ter.com

PART No.: **TP-1.85M-065**

SIZE: A4	SCALE: 4:1	SHEET: 1/1	REV: A
----------	------------	------------	--------

1
2
3
4
5
6
7

1
2
3
4
5
6
7

- NOTES:
- ALL SPECIFICATIONS ARE SUBJECT TO CHANGE WITHOUT NOTICE AT ANY TIME
 - UNLESS OTHERWISE SPECIFIED ALL DIMENSIONS ARE NOMINAL.