

REVISIONS

REV	DESCRIPTION OF REVISION	ECN No.	DATE	APPROVED
A	INITIAL RELEASE	—	07/05/2010	M. Dong
B	DIMENSIONS CHANGED	—	12/14/2016	M. Dong

TECHNICAL DATA

Electrical

Impedance 50 Ω
 Frequency range 0~6 GHz
 Withstanding voltage 1000 V
 Insulation resistance ≥5000MΩ

Mechanical & Environmental

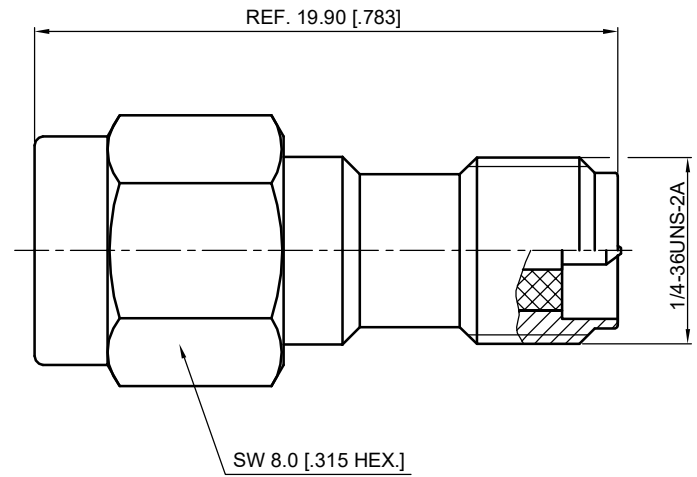
Durability (matings) >500
 Temperature range -55 °C ~ +165 °C
 RoHS Compliant Yes

Material & Finish

Body Brass, Gold-plated
 Pin Contact Phosphor Bronze, Gold-plated
 Coupling Nut Brass, Gold-plated
 Gasket Silicone rubber
 Insulator PTFE

Interface Standards

SMA IEC-60169



NOTES:
 1. ALL SPECIFICATIONS ARE SUBJECT TO CHANGE WITHOUT NOTICE AT ANY TIME
 2. UNLESS OTHERWISE SPECIFIED ALL DIMENSIONS ARE NOMINAL.

UNLESS OTHERWISE SPECIFIED, DIMENSIONS ARE IN MILLIMETERS [INCHES]. UNLESS OTHERWISE SPECIFIED DIMENSIONAL TOLERANCES ARE: .XX ±0.13 [.005"] .X ±0.20 [.008"] X ±0.50 [.019"]	DRAWN: L. Ma 12/14/2016
ANGULAR TOLERANCES ARE: ALL= ±1°	CHECKED: J. Zhu 12/14/2016
DO NOT SCALE DRAWING	APPROVED: M. Dong 12/14/2016
PROJECTION:	TITLE: Adapter, SMA Male to RP SMA Female

DRAWN: L. Ma 12/14/2016		
CHECKED: J. Zhu 12/14/2016		
APPROVED: M. Dong 12/14/2016		
TITLE: Adapter, SMA Male to RP SMA Female		

CMPPTER®
 Cmptter Electronics Co., Ltd. www.cmptter.com

PART No.: **A-SMAM-RPSMAF-082**

SIZE: A4	SCALE: 4:1	SHEET: 1/1	REV: B
----------	------------	------------	--------