

A B C D E F G H I J

REVISIONS				
REV	DESCRIPTION OF REVISION	ECN No.	DATE	APPROVED
A	INITIAL RELEASE	—	06/14/2017	M. Dong

TECHNICAL DATA

Electrical

Impedance 50 Ω
 Frequency range 0~6 GHz
 Withstanding voltage 1000 V
 Insulation resistance ≥5000MΩ

Mechanical & Environmental

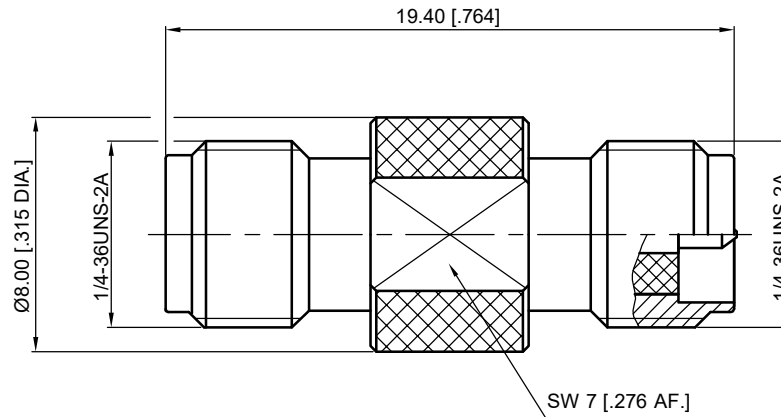
Durability (matings) >500
 Temperature range -55 °C ~ +165 °C
 RoHS Compliant Yes

Material & Finish

Body Brass, Gold-plated
 Pin Contact Phosphor Bronze, Gold-plated
 Insulator PTFE

Interface Standards

SMA IEC-60169



1
2
3
4
5
6
7

1
2
3
4
5
6
7

- NOTES:
- ALL SPECIFICATIONS ARE SUBJECT TO CHANGE WITHOUT NOTICE AT ANY TIME
 - UNLESS OTHERWISE SPECIFIED ALL DIMENSIONS ARE NOMINAL.

UNLESS OTHERWISE SPECIFIED, DIMENSIONS ARE IN MILLIMETERS [INCHES]. UNLESS OTHERWISE SPECIFIED DIMENSIONAL TOLERANCES ARE: .XX ±0.13 [0.05"] .X ±0.20 [0.08"] X ±0.50 [0.19"]	DRAWN: L. Ma 06/14/2017
ANGULAR TOLERANCES ARE: ALL= ±1°	CHECKED: J. Zhu 06/14/2017
DO NOT SCALE DRAWING	APPROVED: M. Dong 06/14/2017
PROJECTION:	TITLE: Adapter, SMA Female to RP SMA Female

DRAWN: L. Ma 06/14/2017
CHECKED: J. Zhu 06/14/2017
APPROVED: M. Dong 06/14/2017



PART No.: A-SMAF-RPSMAF-300			
SIZE: A4	SCALE: 4:1	SHEET: 1/1	REV: A

A B C D E F G H I J