

# TECHNICAL DATA

## Electrical

Impedance	50 Ω
Frequency range	0~ 3 GHz
Withstanding voltage	1000 V
Insulation resistance	≥5000MΩ

## Mechanical & Environmental

Durability (matings)	>500
Temperature range	-65 °C ~ +165 °C
RoHS Compliant	Yes

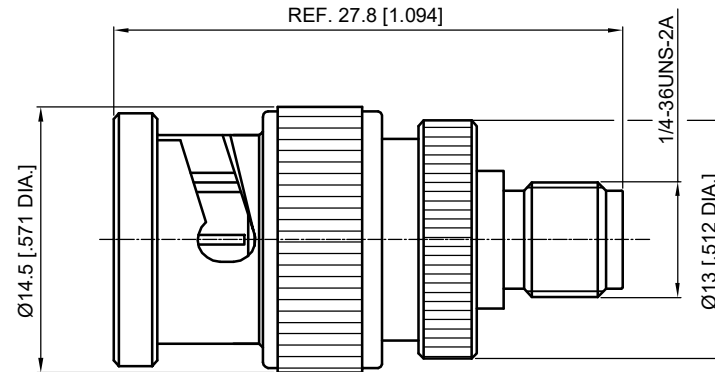
## Material & Finish

Body	Brass, Nickel-plated
Pin Contact	Phosphor Bronze, Gold-plated
Coupling nut	Brass, Nickel-plated
Insulator	PTFE
Gasket	Silicone rubber

## Interface Standards

BNC	IEC-60169
SMA	IEC-60169

REVISIONS				
REV	DESCRIPTION OF REVISION	ECN No.	DATE	APPROVED
A	INITIAL RELEASE	—	10/08/2012	M. Dong
B	DIMENSIONS CHANGED	—	03/16/2017	M. Dong



### NOTES:

- ALL SPECIFICATIONS ARE SUBJECT TO CHANGE WITHOUT NOTICE AT ANY TIME
- UNLESS OTHERWISE SPECIFIED ALL DIMENSIONS ARE NOMINAL.

UNLESS OTHERWISE SPECIFIED, DIMENSIONS ARE IN MILLIMETERS [INCHES].  
UNLESS OTHERWISE SPECIFIED DIMENSIONAL TOLERANCES ARE:

.XX	±0.13 [.005"]
.X	±0.20 [.008"]
X	±0.50 [.019"]

ANGULAR TOLERANCES ARE: ALL= ±1°

DO NOT SCALE DRAWING

PROJECTION:

DRAWN:	L. Ma	03/16/2017
CHECKED:	J. Zhu	03/16/2017
APPROVED:	M. Dong	03/16/2017

TITLE:  
**Adapter, BNC Male to SMA Female**



Cmppter Electronics Co., Ltd. [www.cmppter.com](http://www.cmppter.com)

PART No.:  
**A-BNCM-SMAF-095**

SIZE: A4	SCALE: 2.5:1	SHEET: 1/1	REV: B
-------------	-----------------	---------------	-----------