

TECHNICAL DATA

Electrical

Impedance	50 Ω
Frequency range	0~ 3 GHz
Withstanding voltage	500 V
Insulation resistance	≥5x10 ³ MΩ

Mechanical & Environmental

Durability (matings)	>500
Temperature range	-55 °C ~ +165 °C
RoHS Compliant	Yes

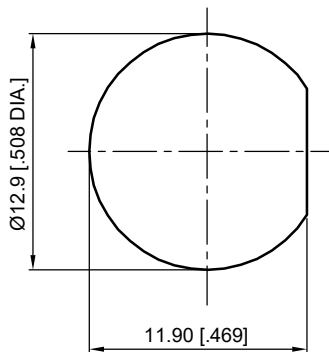
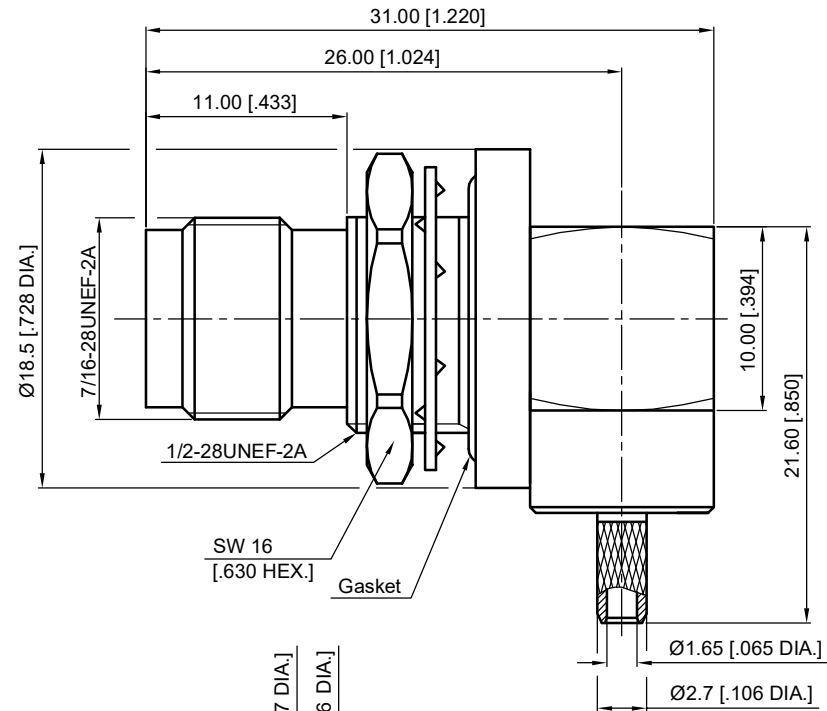
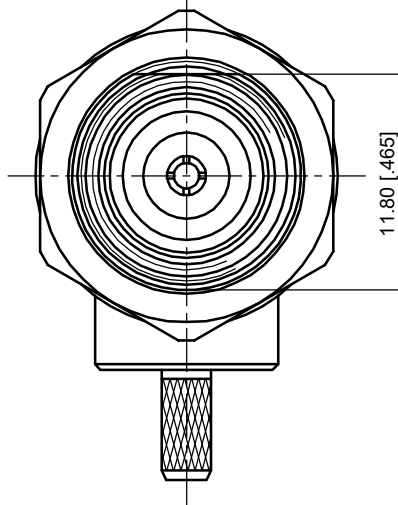
Material & Finish

Body	Brass, Nickel-plated
Pin Contact	Phosphor Bronze , Gold-plated
Washer	Phosphor Bronze , Nickel-plated
Fastening Nut	Brass, Nickel-plated
Gasket	Silicone Rubber
Insulator	PTFE

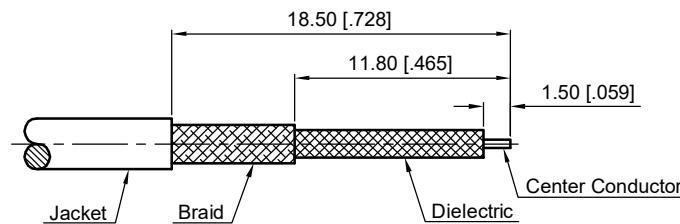
Interface Standards

TNC	IEC-60169
-----	-----------

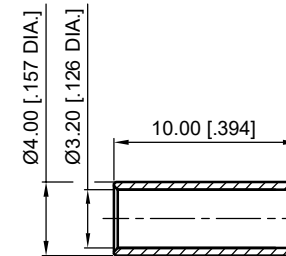
REVISIONS				
REV	DESCRIPTION OF REVISION	ECN No.	DATE	APPROVED
A	INITIAL RELEASE	—	06/01/2017	M. Dong
B	DIMENSIONS CHANGED	—	07/21/2017	M. Dong



Recommended Mounting Hole



Cable Stripping Dimensions



1. CRIMP FERRULE
HEX. CRIMP TOOL SIZE: 3.25 [.128]

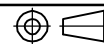
NOTES:

- ALL SPECIFICATIONS ARE SUBJECT TO CHANGE WITHOUT NOTICE AT ANY TIME
- UNLESS OTHERWISE SPECIFIED ALL DIMENSIONS ARE NOMINAL.

UNLESS OTHERWISE SPECIFIED, DIMENSIONS ARE IN MILLIMETERS (INCHES).
UNLESS OTHERWISE SPECIFIED DIMENSIONAL TOLERANCES ARE:
.XX ±0.13 [.005"]
.X ±0.20 [.008"]
X ±0.50 [.019"]
ANGULAR TOLERANCES ARE: ALL= ±1°

DO NOT SCALE DRAWING

PROJECTION:



DRAWN:	L. Ma	07/21/2017
CHECKED:	J. Zhu	07/21/2017
APPROVED:	M. Dong	07/21/2017

TITLE:
TNC Right Angle Waterproof Bulkhead Female Crimp for RG178 Cable



Cmppter Electronics Co., Ltd. www.cmppter.com

PART No.:
80-12-1D00-056

SIZE: A4	SCALE: 2.5:1	SHEET: 1/1	REV: B
-------------	-----------------	---------------	-----------