

REVISIONS

| REV | DESCRIPTION OF REVISION | ECN No. | DATE | APPROVED |
|-----|-------------------------|---------|------------|----------|
| A | INITIAL RELEASE | | 12/09/2016 | M. Dong |

TECHNICAL DATA

Electrical

| | |
|-----------------------|---------|
| Impedance | 50 Ω |
| Frequency range | 0~6 GHz |
| Withstanding voltage | 1000 V |
| Insulation resistance | ≥5000MΩ |

Mechanical & Environmental

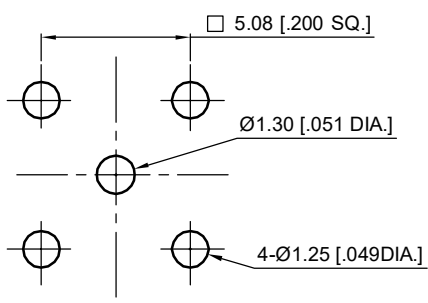
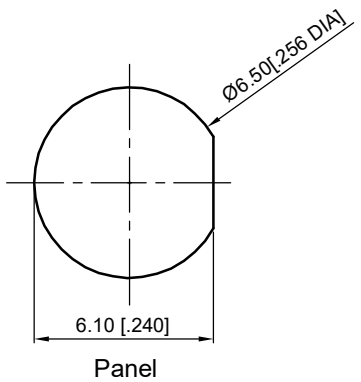
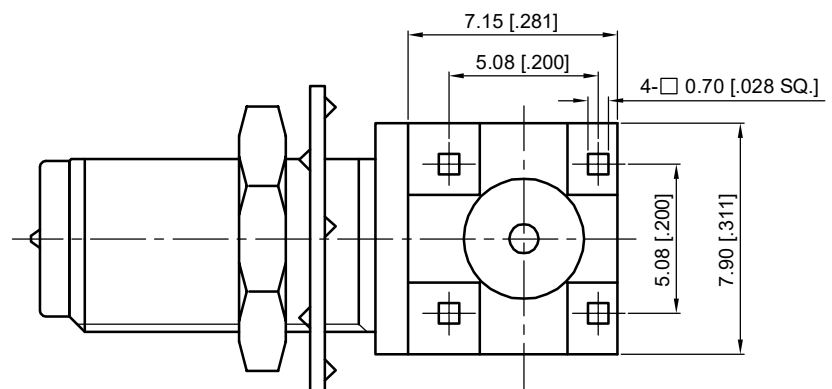
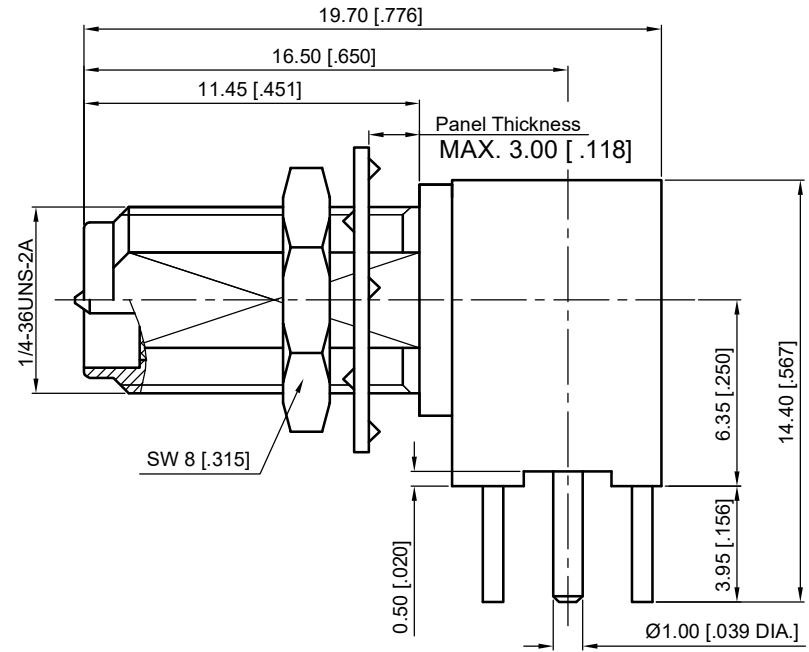
| | |
|----------------------|------------------|
| Durability (matings) | >500 |
| Temperature range | -55 °C ~ +165 °C |
| RoHS Compliant | Yes |

Material & Finish

| | |
|---------------|------------------------------|
| Body | Brass, Gold-plated |
| Pin Contact | Brass, Gold-plated |
| Fastening Nut | Brass, Gold-plated |
| Washer | Phosphor Bronze, Gold-plated |
| Insulator | PTFE |

Interface Standards

| | |
|-----|-----------|
| SMA | IEC-60169 |
|-----|-----------|



Recommended Mounting Hole

- NOTES:
- ALL SPECIFICATIONS ARE SUBJECT TO CHANGE WITHOUT NOTICE AT ANY TIME
 - UNLESS OTHERWISE SPECIFIED ALL DIMENSIONS ARE NOMINAL.

UNLESS OTHERWISE SPECIFIED, DIMENSIONS ARE IN MILLIMETERS (INCHES). UNLESS OTHERWISE SPECIFIED DIMENSIONAL TOLERANCES ARE:

| | |
|-----|---------------|
| .XX | ±0.13 [.005"] |
| .X | ±0.20 [.008"] |
| X | ±0.50 [.019"] |

ANGULAR TOLERANCES ARE: ALL= ±1°

DO NOT SCALE DRAWING

PROJECTION:

| | | |
|-----------|---------|------------|
| DRAWN: | L. Ma | 12/09/2016 |
| CHECKED: | J. Zhu | 12/09/2016 |
| APPROVED: | M. Dong | 12/09/2016 |

TITLE:
RP SMA Right Angle Bulkhead Female for PCB Board

CMPPTER[®]
 Cmppter Electronics Co., Ltd. www.cmppter.com

PART No.:
61-12-5L2-036

| | | | |
|----------|------------|------------|--------|
| SIZE: A4 | SCALE: 4:1 | SHEET: 1/1 | REV: A |
|----------|------------|------------|--------|