

REVISIONS				
REV	DESCRIPTION OF REVISION	ECN No.	DATE	APPROVED
A	INITIAL RELEASE	---	03/09/2017	M. Dong
B	DIMENSION CHANGED	---	03/10/2017	M. Dong
C	MOUNTING HOLE DIMENSION CHANGED	---	03/28/2017	M. Dong

TECHNICAL DATA

Electrical

Impedance	50 Ω
Frequency range	0~6 GHz
VSWR	≤1.40
Withstanding voltage	250 V
Insulation resistance	≥1000MΩ

Mechanical & Environmental

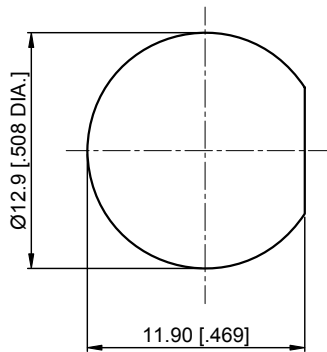
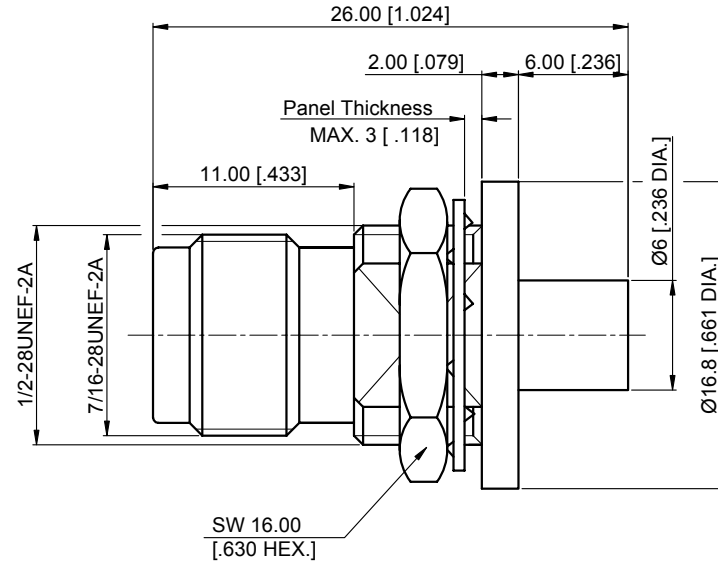
Durability (matings)	>500
Temperature range	-55 °C ~ +155 °C
RoHS Compliant	Yes

Material & Finish

Body	Brass, 2.54μm Nickel-plated
Pin Contact	Beryllium Copper Alloy, 0.15μm Gold-plated
Fastening Nut	Brass, 2.54μm Nickel-plated
Insulator	PTFE
Gasket	Silicone Rubber

Interface Standards

TNC	MIL-STD-348A
MCX	MIL-STD-348A



Recommended Mounting Hole

NOTES:

- ALL SPECIFICATIONS ARE SUBJECT TO CHANGE WITHOUT NOTICE AT ANY TIME
- UNLESS OTHERWISE SPECIFIED ALL DIMENSIONS ARE NOMINAL.

UNLESS OTHERWISE SPECIFIED, DIMENSIONS ARE IN MILLIMETERS (INCHES)
UNLESS OTHERWISE SPECIFIED DIMENSIONAL TOLERANCES ARE:

.XX	±0.13 [005"]
.X	±0.20 [008"]
X	±0.50 [019"]

ANGULAR TOLERANCES ARE: ALL=±1°

DO NOT SCALE DRAWING

PROJECTION:

DRAWN:	L. Ma	03/28/2017
CHECKED:	J. Zhu	03/28/2017
APPROVED:	M. Dong	03/28/2017

TITLE:
**Adapter, TNC Bulkhead
Female to MCX Female**

CMPTEER®

Cmpteer Electronics Co., Ltd. www.cmpteer.com

PART No.:
A-TNCF-MCXF-297

SIZE: A4	SCALE: 2.5:1	SHEET: 1/1	REV: C
-------------	-----------------	---------------	-----------