

TECHNICAL DATA

Electrical

Impedance 50 Ω
 Frequency range 0~3 GHz
 Withstanding voltage 500 V
 Insulation resistance ≥1000MΩ

Mechanical & Environmental

Durability (matings) >500
 Temperature range -55 °C ~ +165 °C
 RoHS Compliant Yes

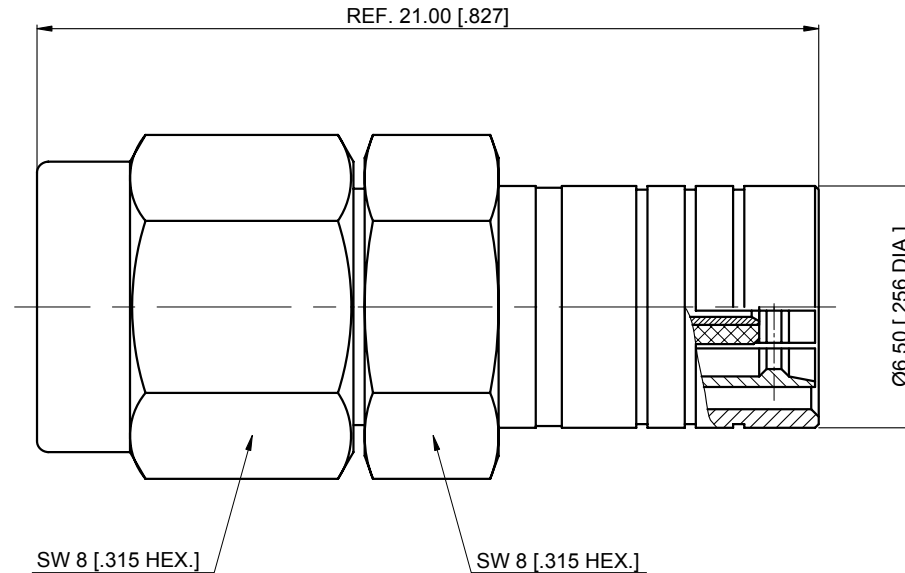
Material & Finish

Body Brass, Gold-plated
 Pin Contact Beryllium Copper Alloy, Gold-plated
 Insulator PTFE

Interface Standards

SMA IEC-60169-15
 SMB IEC-60169-10

REVISIONS				
REV	DESCRIPTION OF REVISION	ECN No.	DATE	APPROVED
A	INITIAL RELEASE	—	04/16/2016	M. Dong



UNLESS OTHERWISE SPECIFIED, DIMENSIONS ARE IN MILLIMETERS [INCHES].
 UNLESS OTHERWISE SPECIFIED DIMENSIONAL TOLERANCES ARE:

.XX	±0.13 [.005"]
.X	±0.20 [.008"]
X	±0.50 [.019"]

ANGULAR TOLERANCES ARE: ALL=±1°

DO NOT SCALE DRAWING

PROJECTION:

DRAWN:	L. Ma	04/16/2016
CHECKED:	J. Zhu	04/16/2016
APPROVED:	M. Dong	04/16/2016

TITLE:
Adapter, SMA Male to SMB Plug (Female Center Contact)

CMPTER®
 Cmppter Electronics Co., Ltd. www.cmppter.com

PART No.:
A-SMAM-SMBM-285

SIZE: A4	SCALE: 5:1	SHEET: 1/1	REV: A
-------------	---------------	---------------	-----------

- NOTES:
- ALL SPECIFICATIONS ARE SUBJECT TO CHANGE WITHOUT NOTICE AT ANY TIME
 - UNLESS OTHERWISE SPECIFIED ALL DIMENSIONS ARE NOMINAL.