

A B C D E F G H I J

REVISIONS				
REV	DESCRIPTION OF REVISION	ECN No.	DATE	APPROVED
A	INITIAL RELEASE	—	08/14/2017	M. Dong

### TECHNICAL DATA

#### Electrical

Impedance 50 Ω  
 Frequency range 0~6 GHz  
 Withstanding voltage 250 V  
 Insulation resistance ≥1 000MΩ

#### Mechanical & Environmental

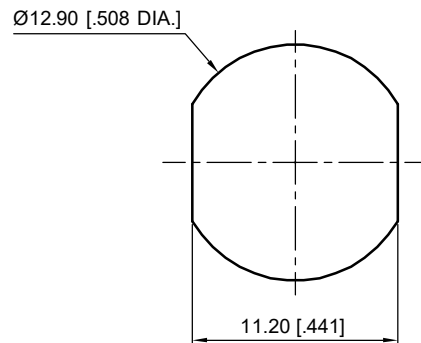
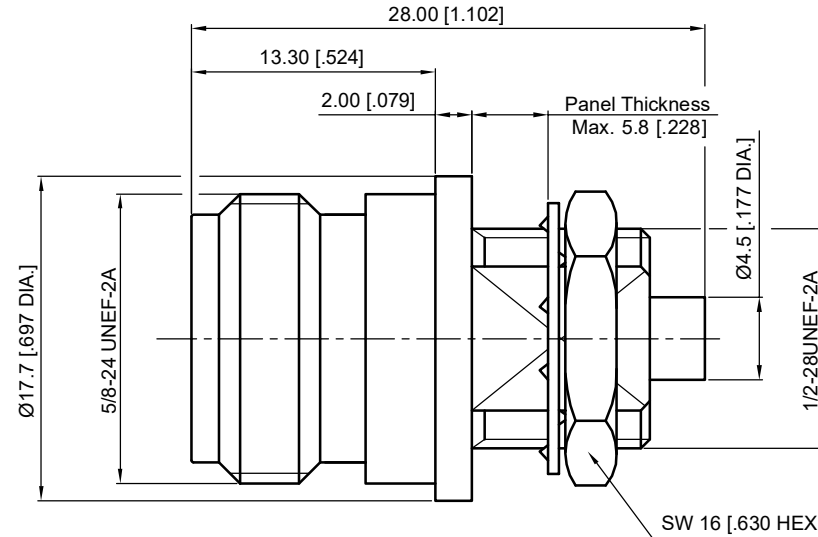
Durability (matings) >500  
 Temperature range -55 °C ~ +165 °C  
 RoHS Compliant Yes

#### Material & Finish

Body Brass, Nickel-plated  
 Pin Contact Phosphor Bronze, Gold-plated  
 Insulator PTFE

#### Interface Standards

N IEC-60169  
 MCX IEC-61169



Recommended Mounting Hole

NOTES:

- ALL SPECIFICATIONS ARE SUBJECT TO CHANGE WITHOUT NOTICE AT ANY TIME
- UNLESS OTHERWISE SPECIFIED ALL DIMENSIONS ARE NOMINAL.

UNLESS OTHERWISE SPECIFIED, DIMENSIONS ARE IN MILLIMETERS [INCHES].  
 UNLESS OTHERWISE SPECIFIED DIMENSIONAL TOLERANCES ARE:

.XX ±0.13 [0.005"]  
 .X ±0.20 [0.008"]  
 X ±0.50 [0.019"]

ANGULAR TOLERANCES ARE: ALL= ±1°

DO NOT SCALE DRAWING

PROJECTION:

DRAWN:	L. Ma	08/14/2017
CHECKED:	J. Zhu	08/14/2017
APPROVED:	M. Dong	08/14/2017

TITLE:  
**Adapter, N Female to MCX Bulkhead Female**



Cmppter Electronics Co., Ltd. [www.cmppter.com](http://www.cmppter.com)

PART No.:  
**A-NF-MCXF-327**

SIZE: A4	SCALE: 2.5:1	SHEET: 1/1	REV: A
-------------	-----------------	---------------	-----------

A B C D E F G H I J