

# TECHNICAL DATA

## Electrical

Impedance	50 Ω
Frequency range	0~6 GHz
Withstanding voltage	1000 V
Insulation resistance	≥5x10 <sup>3</sup> MΩ

## Mechanical & Environmental

Durability (matings)	>500
Temperature range	-55 °C ~ +165 °C
RoHS Compliant	Yes

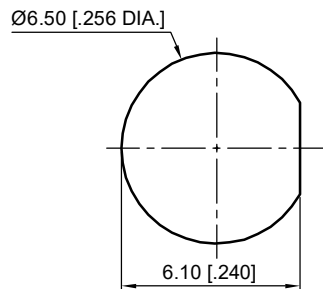
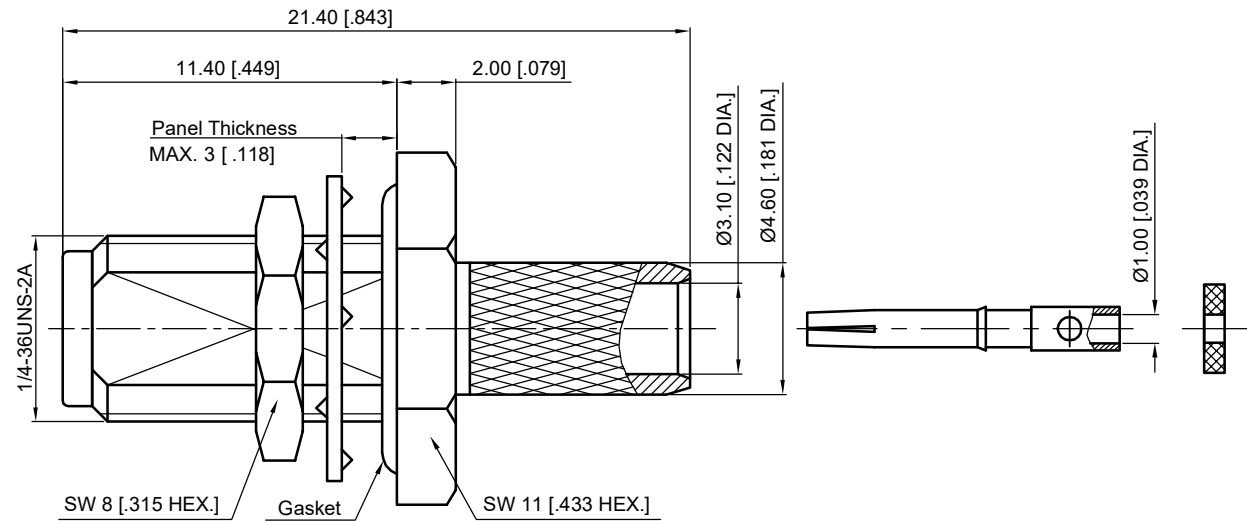
## Material & Finish

Body	Brass, Gold-plated
Pin Contact	Beryllium Copper Alloy, Gold-plated
Fastening Nut	Brass, Gold-plated
Washer	Beryllium Copper Alloy, Gold-plated
Crimp Ferrule	Copper, Nickel-plated
Gasket	Silicone Rubber
Insulator	PTFE

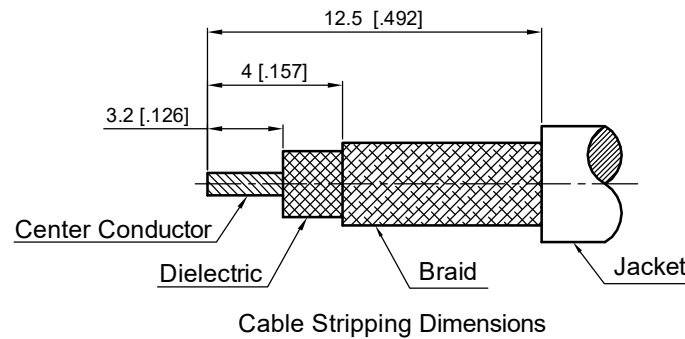
## Interface Standards

SMA	IEC-60169
-----	-----------

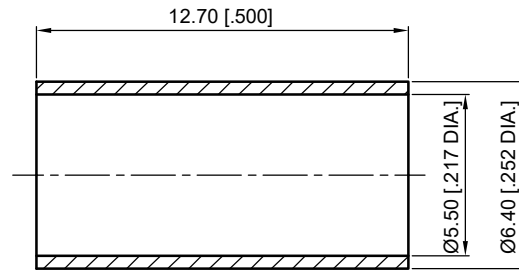
REVISIONS				
REV	DESCRIPTION OF REVISION	ECN No.	DATE	APPROVED
A	INITIAL RELEASE	---	11/21/2016	M. Dong
B	STRUCTURE CHANGED	---	05/12/2017	M. Dong



Recommended Mounting Hole



Cable Stripping Dimensions



1. CRIMP FERRULE  
HEX. CRIMP TOOL SIZE: 5.4 [.213]

### NOTES:

- ALL SPECIFICATIONS ARE SUBJECT TO CHANGE WITHOUT NOTICE AT ANY TIME
- UNLESS OTHERWISE SPECIFIED ALL DIMENSIONS ARE NOMINAL.

UNLESS OTHERWISE SPECIFIED, DIMENSIONS ARE IN MILLIMETERS (INCHES). UNLESS OTHERWISE SPECIFIED DIMENSIONAL TOLERANCES ARE: .XX ±0.13 [.005"] .X ±0.20 [.008"] X ±0.50 [.019"] ANGULAR TOLERANCES ARE: ALL= ±1° DO NOT SCALE DRAWING PROJECTION:
--

DRAWN:	L. Ma	05/12/2017
CHECKED:	J. Zhu	05/12/2017
APPROVED:	M. Dong	05/12/2017

TITLE:  
**SMA Straight Waterproof Bulkhead Female Crimp for LMR195/RG58 Cable**

<b>CMP TER</b> <sup>®</sup>			
Cmpter Electronics Co., Ltd. <a href="http://www.cmpter.com">www.cmpter.com</a>			
PART No.: <b>60-02-1B18-247</b>			
SIZE: A4	SCALE: 4:1	SHEET: 1/1	REV: B